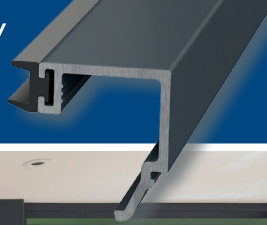


FEATURING SMART'S NEW
**QUICK
GLAZE BEAD**



DESIGNING PRODUCT SOLUTIONS FOR

- ◆ The UK's Bestselling Aluminium Slide-Folding Doors Range
- ◆ Smart Quick-Glaze Bead
Featuring integrated gasket and 'tap-in' design for easier fabrication and faster installation
- ◆ Ultra Slim Sightlines
From 122mm to just 94mm!
- ◆ Suitable for Residential and Commercial Properties
- ◆ PAS 24:2016 Approved
- ◆ Building Regulations Compliant
Designed to comply with the revisions to the Building Regulations Document L

Introducing... VISOFOLD SERIES

The Visofold Series of slide-folding doors is suitable for both residential and commercial applications. Each door offers impressive opening apertures that bring together internal and external spaces to create unique living and social areas.

Used in a wide range of projects, from homes, bars and cafés, to car showrooms, offices and restaurants, Visofold doors can create a glazed screen that not only allows in maximum light in any weather, but also easily glides open in warmer weather to completely open up an entire area.

Visofold doors offer a wide choice of opening configurations to suit any application. Sashes can be folded internally or externally, at the side so the sashes all fold one way, at one end, to create a single entrance door for easy access, or in the middle to give the option of a double door.

Visofold 1000 SLIM

The latest addition to the UK's best selling slide-fold door

The new Visofold 1000 Slim builds on all the qualities that has made this the UK's most popular aluminium slide-fold door range.

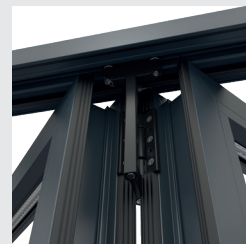
The sightlines have been reduced by 10mm to 122mm, to make the glazed area even larger, an important consideration for projects both large and small. Approved to the PAS24 security standard, the highly versatile, easy-to-operate system is the perfect option for even the largest project, capable of opening up an entire wall, yet presenting a contemporary, elegant, glazed façade when closed.

FEATURES AND SPECIFICATIONS

- ◆ Our Bestselling Slide-Fold Door
Visofold 1000 slide-fold doors are the most popular door currently supplied in the UK
- ◆ Quick-Glaze Bead
UN3160G for faster on site glazing.
The beads are designed to be easy to remove for maintenance or cleaning
- ◆ Slim Line Sashes
DV220G & DV221G with integrated glazing gasket
- ◆ 122mm Sightline
The sightlines of the original Visofold 1000 have been reduced by 10mm to 122mm
- ◆ U Values up to 1.5 W/m²k
- ◆ Successfully tested to PAS24:2026



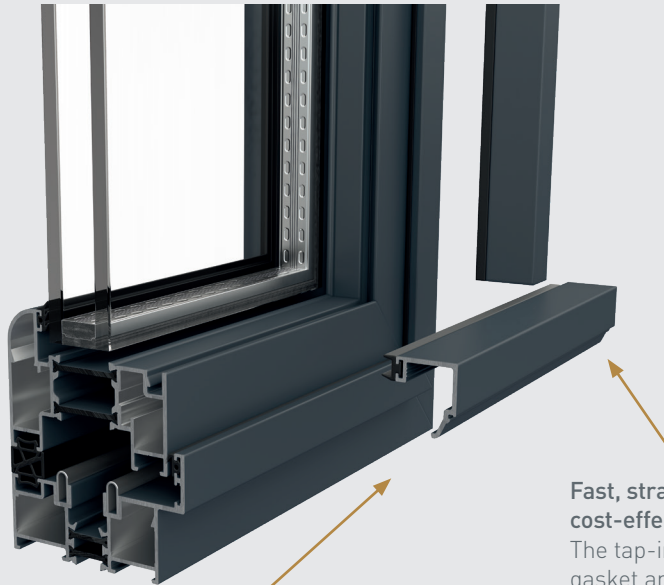
Now with the option of integrated gaskets on the sash and **QUICK GLAZE BEAD**



VISOFOLD 1000 SLIM FEATURES SMART'S **QUICK GLAZE BEAD**

Availability

Smart **QUICK GLAZE BEAD** is available in Naturals colours White (WP), Black (BL) and Anthracite Grey (KL005).



Slim line sashes now available with optional integrated gasket.

Easy removal

The combined bead/gasket has been designed to be easy to remove should any of the glazing panels need replacing.

Fast, straight forward and cost-effective installation

The tap-in integrated bead and gasket are simply tapped-in (rather than clipped in), making installation and glazing process faster, straight forward and more cost effective.

Why Choose A Smart SLIDE-FOLD DOOR

Renowned for its perfect combination of light weight and high strength, aluminium is the ideal material for slide-fold doors, with each of our doors designed with performance, style and efficiency in mind.

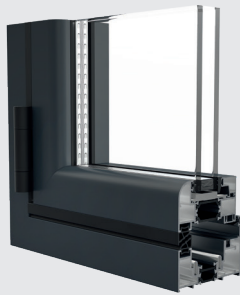
With a lifespan measured in decades rather than years, together with outstanding thermal efficiency and extremely low maintenance requirements, aluminium has become the perfect choice for residential projects.

Aluminium is one of the world's most recyclable materials; so much so, that 40% of the Aluminium used today has been recycled, with recycling taking just 5% of the total energy used in its production. 75% of the Aluminium ever made is still in use today.

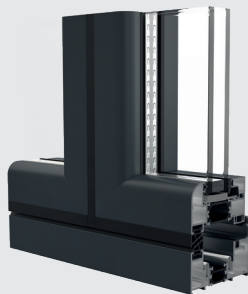


REQUEST YOUR FREE COLOUR GUIDE

Please ask your supplier for the Smart Colour Guide.



OUTER FRAME &
SASH CORNER
SECTION



THRESHOLD
AND MEETING
STYLE SECTION

Visofold 6000

With the slimmest profiles in the Visofold range at just 94mm and inconspicuous hardware, Visofold 6000 provides a contemporary solution. This elegant door is available in both traditional sliding/folding and 'slide and stack' formats.

The system features a choice of internally or externally folding panels, which when open, sit flush to the frame. Sashes are hung from a floating mullion and slide on a recessed bottom roller and top guide, which allow ultra-slim profiles, smooth operation and robust security.

FEATURES AND SPECIFICATIONS

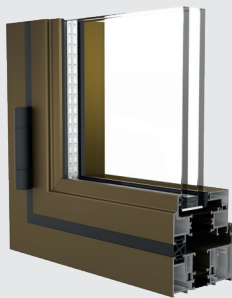
- ◆ Maximise Space and Light
Visofold 6000 offers the slimmest profile of any slide-fold door system in the UK
- ◆ 94mm Sightline
- ◆ Matching Doors Available
Matching residential single and French doors are available
- ◆ Maximise Light
Visofold 6000 is available up to 2200mm (h) x 1000mm (w)
- ◆ PAS24:2016 Certified
As well as high security glazing, the doors feature a highly robust locking mechanism that includes multi-point locks on the main opening sashes and shoot bolts on the floating panels



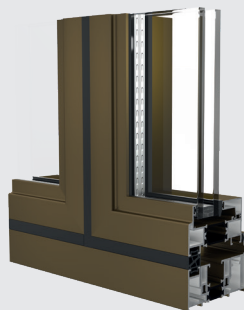
Visofold HERITAGE

Designed to match the slim profiles and Art Deco design of traditional steel doors, Visofold Heritage provides a modern, like-for-like replacement for steel doors. Combining a classical design with outstanding performance, the system combines maximum flexibility with minimum space requirement.

Visofold Heritage features a choice of internally or externally folding panels, which sit flush to the frame when open. The sashes slide on a bottom roller and top guide to provide smooth operation and robust security.



OUTER FRAME &
SASH CORNER
SECTION



THRESHOLD
AND MEETING
STYLE SECTION



FEATURES AND SPECIFICATIONS

- ◆ **Aesthetics of a Steel Frame**
The slim profile and additional astragal glazing bars of this door deliver the aesthetics of retro steel styling together with the strength and performance of modern aluminium
- ◆ **94mm Sightline**
Ultra-thin framework provides maximum light and space
- ◆ **All The Benefits of 6000**
Based on the Visofold 6000, the Heritage door shares all the features and benefits
- ◆ **Heritage Doors & Windows**
Designed to work in harmony with our classic Alitherm Heritage door and window ranges
- ◆ **Choice of Open In or Open Out**
- ◆ **Available with a flush threshold or projection cill**
- ◆ **PAS24:2016 Certified**



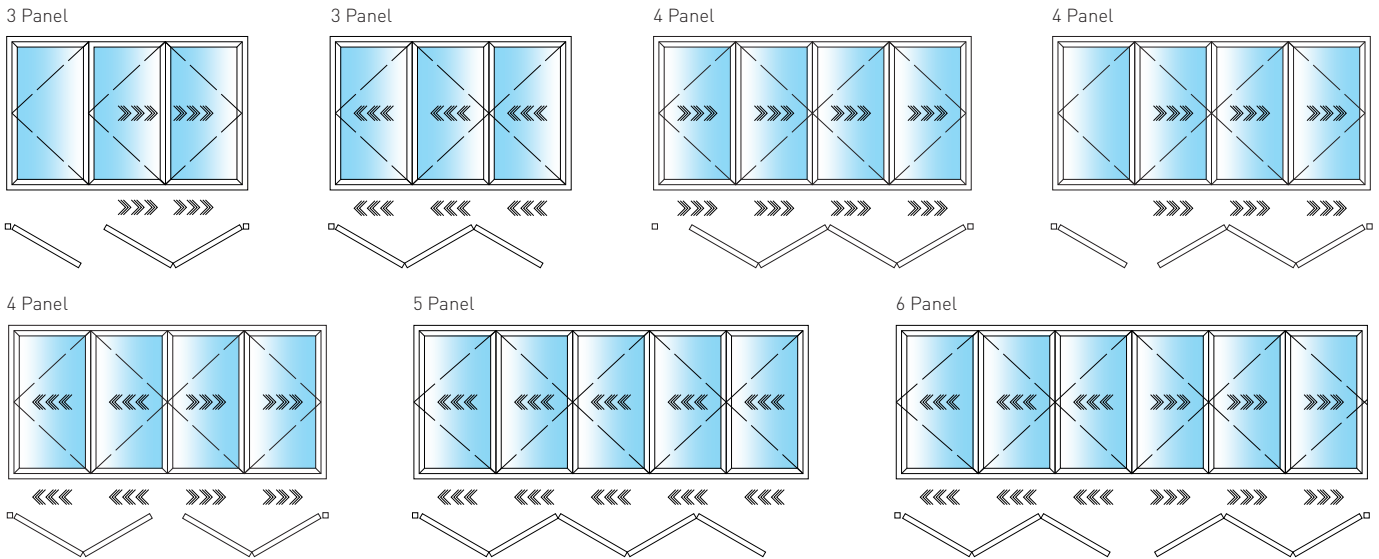
U Value 1.6W/m²K
Slide-Fold Door



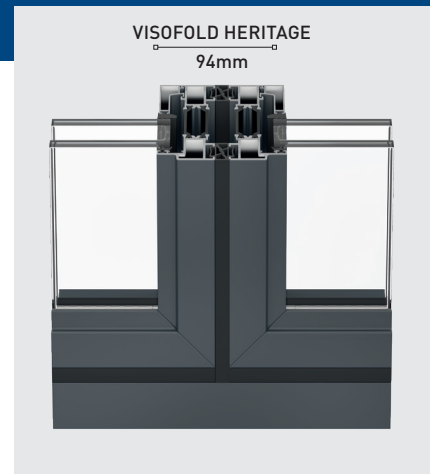
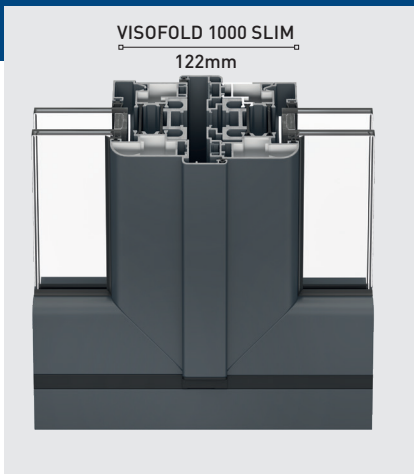
Sight Line
94mm

CONFIGURATIONS

Many more designs are available. Please speak to your supplier for further information



THE VISOFOLD DOOR SERIES



TECHNICAL PERFORMANCE							DIMENSIONS				RECOMMENDED DESIGN LIMITS		
Visofold Series	U Value ¹	DSER ²	Air	Water	Wind	PAS24:2016 Certified	Frame Width	Frame Depth	Typical Line of Sight	Glass (double or triple glazed units)	Max o/a Width (per sash)	Max o/a Height (per sash)	Max Sash Weight
1000 Slim When using DV220 & DV221	1.6 W/m ² K	Band B	Class 4 600Pa	Class E 750Pa	Class 4 1800Pa	✓	102.5mm	70mm	122mm	24mm, 28mm, 32mm or 36mm	1200mm <small>(Sash widths over 900mm require ACDV295)</small>	2500mm*	100kg
6000 DV620 & DV622	1.6 W/m ² K	Band A	Class2 600Pa	Class 8A 450Pa	Class 3 1200Pa	✓	88mm	76mm or 82mm	94mm <small>(Slide and Fold door)</small>	24mm, 28mm, 32mm or 36mm	1000mm	2200mm**	100kg
Heritage DV624	1.6 W/m ² K	Band A	Class2 600Pa	Class 8A 450Pa	Class 3 1200Pa	✓	88mm	76mm or 82mm	94mm <small>(Slide and Fold door)</small>	24mm, 28mm, 32mm or 36mm	1000mm	2200mm**	100kg

Typical Values different glass, profiles and door configurations will vary U Value and Door Set Energy Ratings

1. Bi-Folding door 1.6 W/m²K with 1.0 centre pane

Bi-Folding door with slim sash and standard beads 1.3 W/m²K with 0.7 centre pane

Used as double door 2000 x 2180 1.5 W/m²K using 1.0 centre pane. Double door best result 1.2 W/m²K using 0.7 centre pane.

2. Door Set Energy Rating based on double doors 2000 x 2180 using glass Centre Pane 1.2 and g value 0.74

Please contact Smart Technical for project specific advice

*Subject to ixx calculations/checks.

**Dependant on site conditions